

Better Life  **LG** | Business Solutions Innovation for a Better Life  **LG** | Business Solutions Innovation for a Better Life

\* All images in this datasheet are for illustrative purposes only.

**OUTDOOR** DVLED SIGNAGE

# Stadium Series



Outstanding Visibility



Smooth Playback in Dynamic Motion



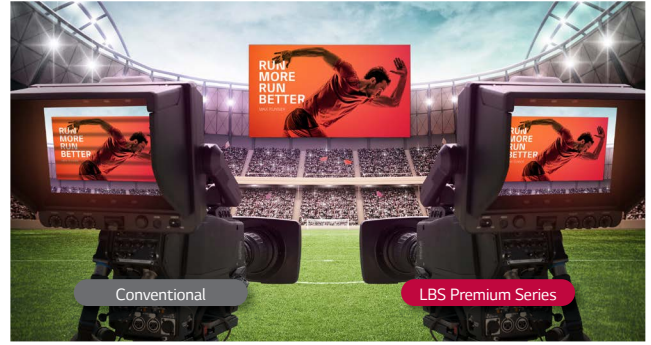
16-bit Color Processing



Uniform Picture Quality



Front and Rear Serviceability

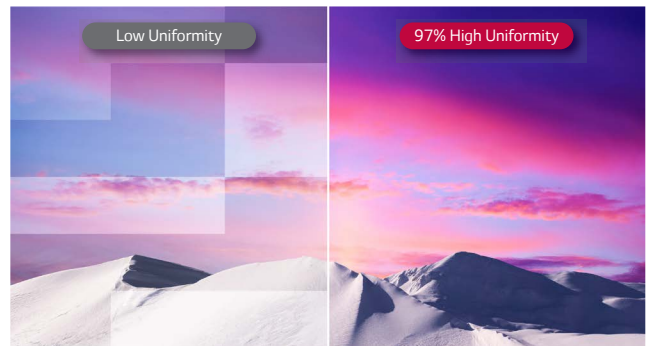
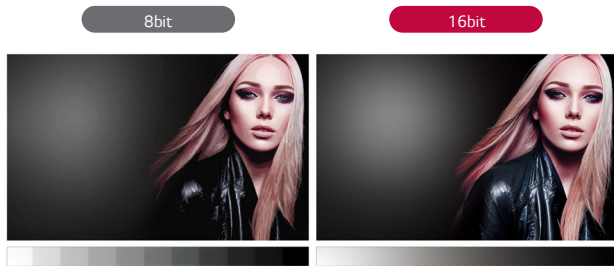


### Outstanding Visibility

Offering a powerful 6,000 nits (typ.) of brightness (customizable up to 8,500 nits), this super-bright display excels outdoors even in direct sunlight, instantly captivating attention and effectively delivering content.

### Smooth Playback in Dynamic Motion

A high refresh rate of 4,000 Hz ensures smooth playback. Flicker-free images prevent the black bars that appear in video recordings and blurred vision.



### Detailed Expression of Color Depth

16-bit color processing provides a high grayscale level, which seamlessly displays different depths and densities of colors without distortion, thereby giving a realistic and sophisticated content.

### Uniform Picture Quality

Every step from production is strictly managed, while factory calibration ensures consistent quality between the LED units. The display provides seamless content with 97% brightness uniformity.



### Front and Rear Serviceability

The LBB ribbon board offers both front and rear access allowing customers to choose according to their installation environment and minimizing limitations in installation and maintenance.

# PRODUCT INFORMATION



## Ribbon Board

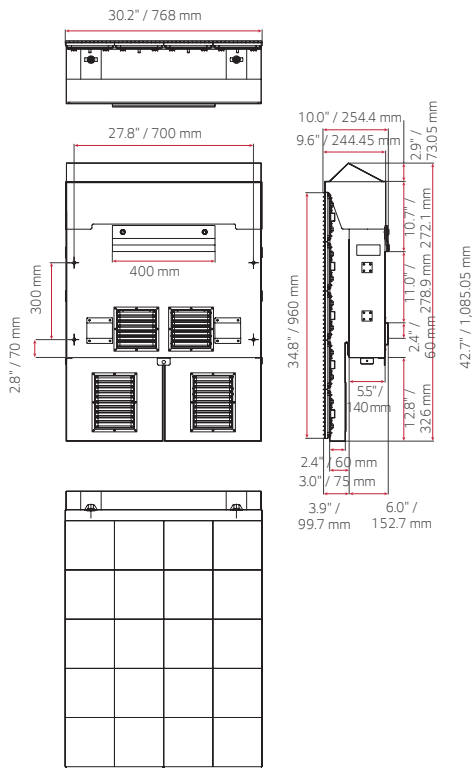
Pixel Pitch	16.00 mm
Brightness	6,000 nits
Refresh Rate	4,000 Hz
Serviceability	Top
IP Rating (Front / Rear)	IP65 / IP54

## Perimeter

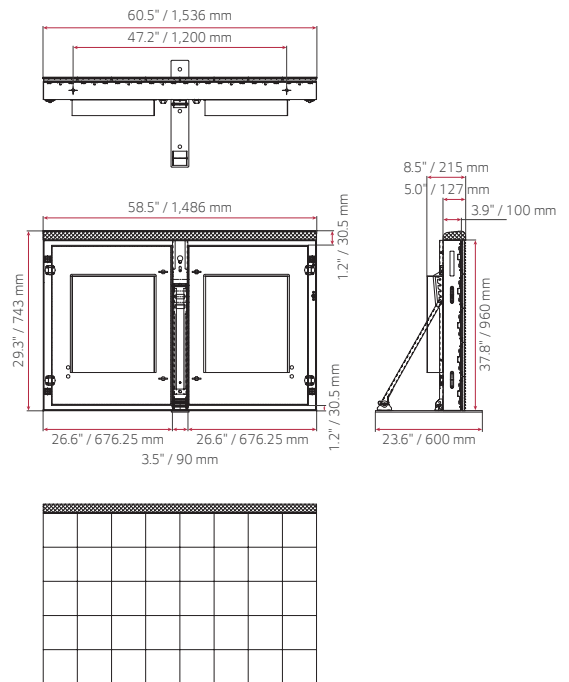
Pixel Pitch	16.00 mm
Brightness	6,000 nits
Refresh Rate	4,000 Hz
Serviceability	Front and Rear
IP Rating (Front / Rear)	IP65 / IP54

# DIMENSIONS

Ribbon Board (LBF160DA4D)



Perimeter (LBB160DA4D2)



# SPECIFICATIONS

MODEL NAME		LBB100DD3	LBB100DD4
PHYSICAL PARAMETERS	Pixel Configuration	Single SMD	Single SMD
	Pixel Pitch (mm)	10.00	10.00
	Module Resolution (WxH)	40 x 15	40x15
	Module Dimensions (W x H, in. / mm)	15.7 x 5.9 / 400 x 150	15.7 x 5.9 / 400 x 150
	Weight per Module (lbs. / kg)	2.2 / 1.0	2.2 / 1.0
	No. of Modules per Cabinet (WxH)	4 x 6	4x6
	Cabinet Resolution (W x H)	160 x 90	160x90
	Cabinet Dimensions (W x H x D, in. / mm)	63.0 x 35.4 x 4.9 / 1,600 x 900 x 124	63.0 x 35.4 x 4.9 / 1,600 x 900 x 124
	Cabinet Surface Area (ft <sup>2</sup> / m <sup>2</sup> )	15.5 / 1.440	15.5 / 1.440
	Weight per Cabinet (lbs. / kg)	124 / 65.0	124 / 65.0
	Weight per Square Meter (lbs./ft <sup>2</sup> / kg/m <sup>2</sup> )	45.1	45.1
	Physical Pixel Density (pixels/m <sup>2</sup> )	9.24 / 45.1	9.24 / 45.1
	Flatness of Cabinet (mm)	±0.5	±0.5
	Cabinet material	Extrusion Aluminum	Extrusion Aluminum
	Service access	Module Front, Back,PDU Rear	Module Front, Back,PDU Rear
OPTICAL SPECIFICATIONS	Max Brightness (After Calibration, nits)	6,000	5,000
	Color Temperature (K)	3,500~9,000	3,500~9,000
	Visual Viewing Angle (Horizontal)	160°	160°
	Visual Viewing Angle (Vertical)	120°	120°
	Brightness Uniformity	97%	97%
	Color Uniformity	±0.003Cx,Cy	±0.003Cx,Cy
	Contrast Ratio	12,000:1	10,000:1
	Processing Depth (bit)	14	14
ELECTRICAL SPECIFICATIONS	Power Consumption (W/Cabinet, Max.)	750	750
	Power Consumption (W/Cabinet, Avg.)	250	250
	Power Consumption (W/m <sup>2</sup> , Max.)	520	520
	Heat Dissipation (BTU/h/Cabinet, Max.)	2,559	2,559
	Heat Dissipation (BTU/h/Cabinet, Avg.)	853	853
	Heat Dissipation (BTU/h/m <sup>2</sup> , Max.)	1,774	1,774
	Power Supply (Vac)	100 to 240	100 to 240
	Frame Rate (Hz)	50 / 60	50 / 60
	Refresh Rate (Hz)	3,840	3,840
OPERATION SPECIFICATIONS	LED Lifetime (Half brightness)	Up to 100,000 hours	Up to 100,000 hours
	Operating Temperature(°F / °C)	-22 to 113 / -30 to 45	-22 to 113 / -30 to 45
	Operating Humidity	10~99%RH	10~99%RH
	IP rating Front	IP65	IP65
	IP rating Rear	IP65	IP65
WARRANTY	3 Year Limited	3 Year Limited	
CERTIFICATION	CE, FCC, ETL	CE, FCC, ETL	
ENVIRONMENT	RoHS	RoHS	
CONTROLLER	LCIN006	LCIN006	